

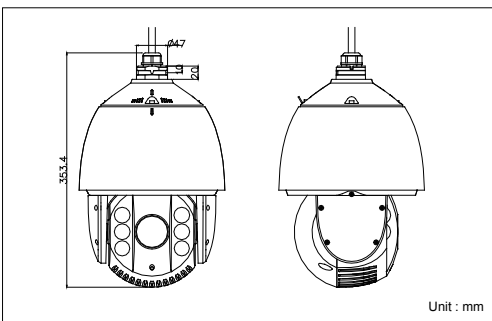
DS-2DE7176/7174 series 1.3MP Network IR PTZ Dome Camera



Key features

- 1/3" Progressive Scan CMOS
- 1280 × 960 HD resolution
- 30X / 20X optical zoom, 16X digital zoom
- 100m IR distance
- True Day/Night, 3D DNR, Digital WDR
- 3D intelligent positioning
- 24VAC / High-PoE power supply

Dimensions



Accessories



DS-1601ZJ DS-1601ZJ-corner DS-1601ZJ-pole DS-1634ZJ

Available models

DS-2DE7176-A: 24VAC, outdoor
DS-2DE7176-AE: High-PoE & 24VAC, outdoor

DS-2DE7174-A: 24VAC, outdoor
DS-2DE7174-AE: High-PoE & 24VAC, outdoor

	DS-2DE7176-A DS-2DE7176-AE	DS-2DE7174-A DS-2DE7174-AE
Camera		
Image sensor	1/3" Progressive Scan CMOS	
Effective pixel	1320K pixels	
Min. illumination	Color: 0.05lux(F1.6, AGC ON); 0 lux with IR B/W: 0.01lux(F1.6, AGC ON); 0 lux with IR	Color: 0.05lux(F1.4, AGC ON); 0 lux with IR B/W: 0.01lux(F1.4, AGC ON); 0 lux with IR
White balance	Auto / Manual /ATW/Indoor/Outdoor/Daylight lamp/Sodium lamp	
AGC	Auto / Manual	
S / N ratio	≥ 52dB	≥ 50dB
Digital noise Reduction	3D DNR	
Backlight compensation	HLC/BLC	
Wide dynamic range	Digital WDR	
Shutter speed	1 ~ 1/10,000s	
Day & Night	IR Cut Filter	
Digital zoom	16X	
Privacy masking	2 privacy masks programmable	
Focus mode	Auto / Semiautomatic / Manual	
Lens		
Focal length	4.3 ~ 129mm, 30x	4.7 ~ 94.0mm, 20x
Zoom speed	Approx 3s(Optical Wide-Tele)	Approx 3s(Optical Wide-Tele)
Angle of view	58.9 ~ 2.11 degree (Wide-Tele)	58.3 ~ 3.2 degree (Wide-Tele)
Min. working distance	10 ~ 1,500mm(Wide-Tele)	10 ~ 1,000mm(Wide-Tele)
Aperture range	F1.6 ~ F5.0	F1.4 ~ F3.5
Pan and Tilt		
Pan / Tilt range	Pan: 360° endless; Tilt: -15° ~ 90° (Auto Flip)	
Pan / Tilt speed	Pan Manual Speed: 0.1° ~ 160°/s, Pan Preset Speed: 240°/s Tilt Manual Speed: 0.1° ~ 120°/s, Tilt Preset Speed: 200°/s	
Proportional zoom	Rotation speed can be adjusted automatically according to zoom multiples	
Number of preset	256	
Park action	Pattern/Pan scan/Tilt scan/Frame scan/Panorama scan/Random scan	
Patrol	8 patrols, up to 32 presets per patrol	
Power-off memory	Support	
PTZ position display	Support	
Preset freezing	Support	
Scheduled task	Preset / Patrol / Pattern / Pan scan / Tilt scan / Random scan / Frame scan / Panorama scan/Dome reboot/Self-test action/Alarm output	
Infrared		
IR distance	Up to 100m	
IR intensity	Automatically adjusted, depending on the zoom ratio	
Local Video&Audio		
Audio input	1 Mic in/Line in interface, Line input: 2 ~ 2.4V[p-p]; output impedance: 1KΩ, ±10%	
Audio output	1 Audio output interface, Line level, impedance: 600Ω	
Network		
Ethernet	10Base-T / 100Base-TX, RJ45 connector	
Max. image resolution	1280×960	
Frame rate	50Hz:25fps(1280×960), 25fps(1280×720) 60Hz:30fps(1280×960), 30fps(1280×720)	
Image compression	H.264/MJPEG	
Audio compression	G.711u /G.711a /G.726 /MP2L2	
Protocols	IPv4/IPv6, HTTP, HTTPS, 802.1x, Qos, FTP, SMTP, UPnP, SNMP, DNS, DDNS, NTP, RTSP, RTP, TCP, UDP, IGMP, ICMP, DHCP, PPPoE	
Simultaneous live view	Up to 6	
Streams	Dual streams	
Mini SD memory card	Micro SD slot, up to 32GB	
User/Host level	Up to 32 users, 3 Levels: Administrator, Operator, User	
Security measures	User authentication (ID and PW), Host authentication (MAC address), IP address filtering	
Integration		
Application programming	Open-ended API, support Onvif, PSIA and CGI	
Web browser	IE 7+, Chrome 18+, Firefox 5.0+, Safari 5.02+	
General		
Power	-A: 24 VAC, max. 30W -AE: High-PoE & 24 VAC, max. 30W	
Working temperature	-30°C ~ 65°C(-22°F ~ 149°F)	
Humidity	90% or less	
Protection level	IP66	
	TVS 4,000V lightning protection, surge protection and voltage transient protection	
Dimensions	Φ220 × 353.4mm (Φ8.66" × 13.91")	
Weight	5.5kg(12.13lbs)	
Mount option	Long-arm wall mount: DS-1601ZJ; Corner mount: DS-1601ZJ-corner; Pole Mount: DS-1601ZJ-pole; Power box mount: DS-1634ZJ	