



# eVIEW

## Analogue Addressable Serial Annunciator

NOT  
SUITABLE  
FOR EU  
MARKETS



### Product Overview

- Designed and manufactured to the highest standards in a quality controlled environment the eVIEW fire alarm annunciator provides a simple and convenient method of extending the controls and indications of the Elite fire alarm control panel to other locations.
- The large, graphic liquid crystal display and high brightness LED indicators duplicate the indications on the Elite fire alarm control panel at up to 15 additional locations via a simple, two-wire serial data connection.
- The eVIEW is powered by 24V DC (which can be via an additional 2 conductors from the control panel or local 24V DC listed supply).
- eVIEW is housed in a small enclosure which is styled similarly to the Elite control panel and is ideal for installations where a large control panel would be detrimental to décor such as entrance halls.
- Up to 15 eVIEW annunciators can be connected to each control panel on the Elite network making eVIEW ideal where multiple points of indication and/or control are required such as nurses stations or shop units.

### Features

- Available in Red or Grey
- Up to 15 annunciators can be connected to each Elite or Elite RS fire control panel
- Large liquid crystal display (240 x 64 pixels)
- High brightness LED indications
- Internal sounder
- Replicates all panel controls (Elite)
- Simple, two-wire serial connection
- Small, Elite style enclosure
- Removable electronics for easy installation
- 24V DC powered
- Low power consumption
- Multi language options
- Connection supervised by Elite fire control panel

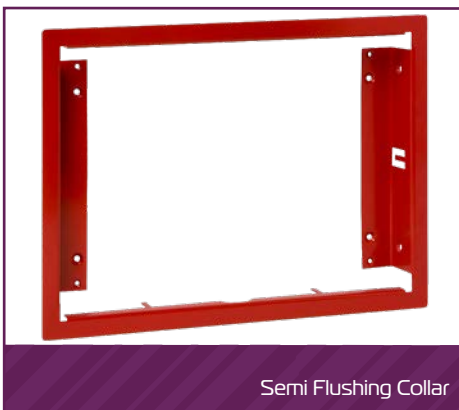
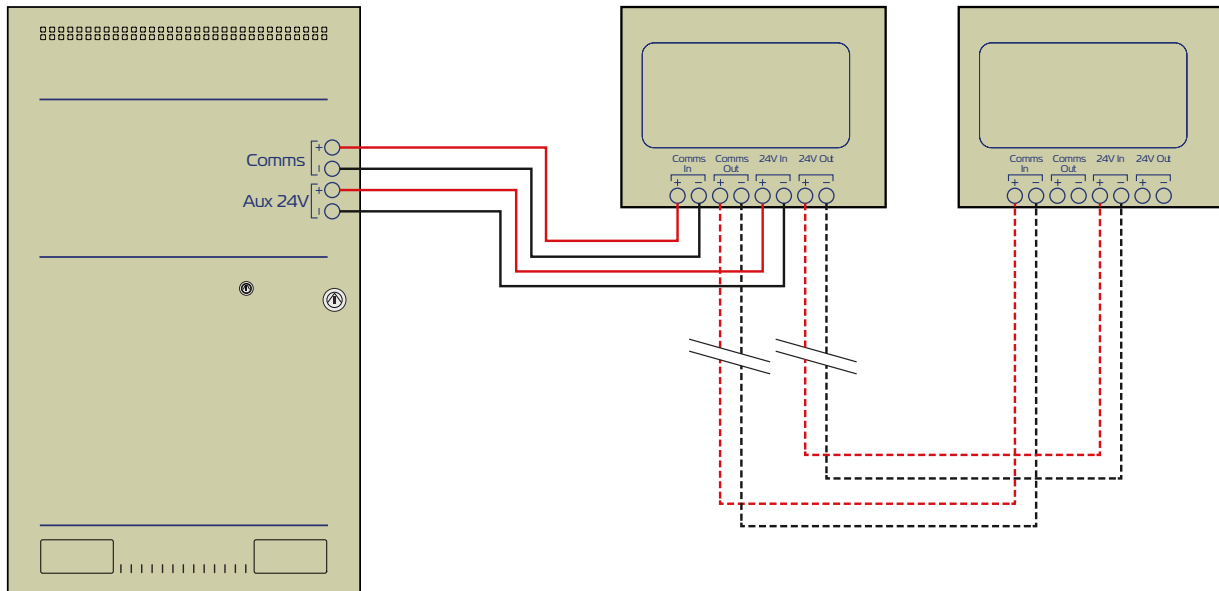
## Panels

Product Code	Description	Size (mm)
K1172-10	eView Repeater Panel - Red	263 x 191 x 42
K1172-40	eView Repeater Panel - Grey	263 x 191 x 42

## Technical

<b>Construction</b>	- 1.2mm mild sheet steel
<b>Cable entry</b>	- 4 knockouts in back of box and 1 in left and right sides
<b>Weight</b>	- 1.6kg
<b>Finish</b>	- RAL3002 (Red) or BS 00 A 05 (Grey)
<b>24V supply</b>	- 21 to 30V DC
<b>Maximum ripple current</b>	- 200 millivolts
<b>Quiescent current of panel in mains fail</b>	- 0.03 Amps
<b>Serial data connection</b>	- 2 core RS485 (Up to 1200 metres total cable length)
<b>Maximum terminal capacity</b>	- 12AWG

Elite series control panel



## Flushing Collar Technical

<b>Part number</b>	- K1173
<b>Outer Dimensions</b>	- 288mm W x 220mm H x 34mm D
<b>Inner Dimensions</b>	- 263mm W x 191mm H
<b>Colour</b>	- Available in Red (K1173-10) or Grey (K1173-40)

The eView semi flushing collar allows the eVIEW annunciator to easily be recess mounted. Flushing collars provides placement tabs that fold behind dry wall. Traditional screw mounting is available by 2 openings in each of the vertical frames. Conduit entry is not blocked by collar.